

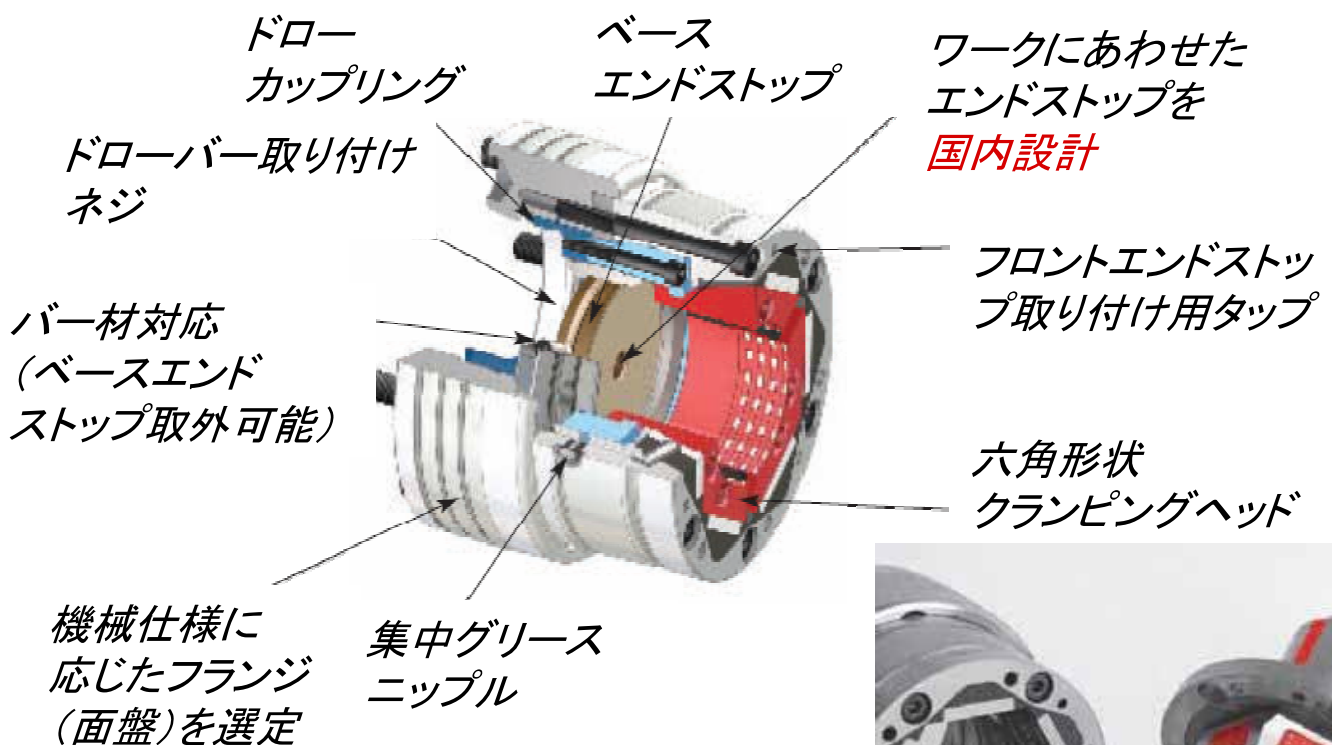
Increased holding power

旋盤用コレットチャック

improved sealing

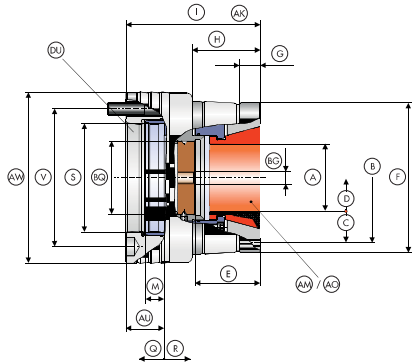
TOPlus  
トープラス

- 従来品に比べてクランプ力が**25%UP**  
短いクランプ幅でも高いクランプ剛性を得られます
- テーパー面が六角形状によりキリコ、コンタミ等の侵入がありません  
ハードターニング加工やドライ加工にも最適
- 段取り時間の短縮  
ワンタッチで誰でも簡単にクランピングヘッドの交換が可能



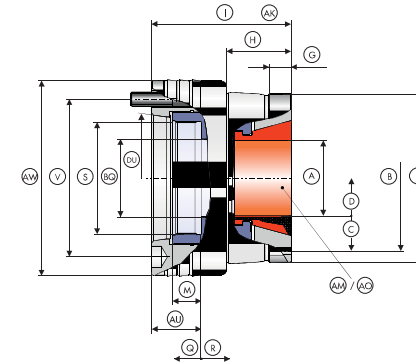


TOPlus combi pull-back size 65. Technical data



Size	65						
Variant	Combi pull-back						
Spindle nose	DU	A2-5	A2-6	A2-8	API20	API140	API170
Concentricity [mm]				0,015			
Max. radial clamping force [kN]				120			
Max. axial drawtube force [kN]				45			
RPM n max. [1/min.]				6000			
Clamping range [mm]	A			4 - 65			
Release stroke radial [mm]	C			0,5			
Reserve stroke radial [mm]	D			0,5			
End-stop depth [mm]	E			63,5			
Ø capacity [mm]	BQ			66			
End-stop thread size [M]	BG			12			
Location front end-stop	F			Ø 145 f7			
Centering length [mm]	G			20			
Bolt hole circle end-stop	B			LK Ø 126 [3 x M6]			
Length [mm]	H			66			
Total length [mm]	I	131	130	131	120		115
Total length extensible to [mm]	AK			180			
Connecting thread inside	S	M72 x 1,5	M105 x 1,5		M72 x 1,5	M105 x 1,5	
Depth of thread [mm]	M			18			
Position in clamped position [mm]	AU	34	37	38	23		22
Reserve stroke axial [mm]	Q			2			
Release stroke axial [mm]	R			2,5			
Clamping head serrated	AM	TOP 65		TOP 65 G	TOP 65		
Clamping head smooth	AO	TOP 65 G		TOP 65	TOP 65 G		
Bolt hole circle	V	LK Ø 104,8 [6 x M10]	LK Ø 133,4 [6 x M12]	LK Ø 171,4 [6 x M16]	LK Ø 104,8 [6 x M10]		LK Ø 133,4 [6 x M12]
Outer Ø [mm]	AW	160	165	210	160		184
Weight [kg]		13,5	13	18,5	12	12,5	14

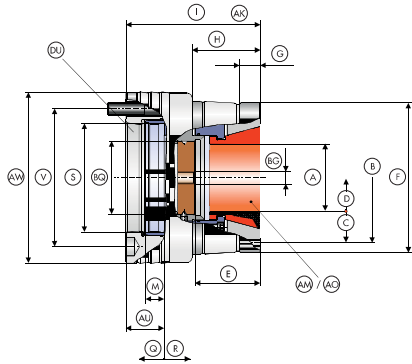
TOPlus modular size 65. Technical data



Size	65						
Variant	Modular						
Spindle nose	DU	A2-5	A2-6	A2-8	API20	API140	API170
Concentricity [mm]				0,015			
Max. radial clamping force [kN]				120			
Max. axial drawtube force [kN]				45			
RPM n max. [1/min.]				6000			
Clamping range [mm]	A			4 - 65			
Release stroke radial [mm]	C			0,5			
Reserve stroke radial [mm]	D			0,5			
Ø capacity [mm]	BQ			66			
Location front end-stop	F			Ø 145 f7			
Centering length [mm]	G			20			
Bolt hole circle end-stop	B			LK Ø 126 [3 x M6]			
Length [mm]	H			56			
Total length [mm]	I	121	120	121	110		105
Total length extensible to [mm]	AK			150			
Connecting thread inside	S	M78 x 1,5	M95 x 1,5		M78 x 1,5		
Depth of thread [mm]	M	18	25		18		
Position in clamped position [mm]	AU	49,5	42,5	49,5	38,5		33,5
Reserve stroke axial [mm]	Q			2			
Release stroke axial [mm]	R			2,5			
Clamping head serrated	AM	TOP 65					
Clamping head smooth	AO	TOP 65 G					
Bolt hole circle	V	LK Ø 104,8 [6 x M10]	LK Ø 133,4 [6 x M12]	LK Ø 171,4 [6 x M16]	LK Ø 104,8 [6 x M10]		LK Ø 133,4 [6 x M12]
Outer Ø [mm]	AW	160	165	210	160		184
Weight [kg]		12	16,5	17	11		14

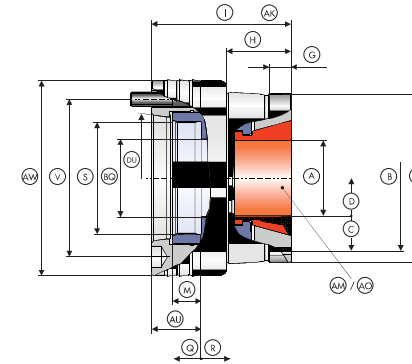


TOPlus combi pull-back size 100. Technical data



Size	100				
Variant	Combi pull-back				
Spindle nose	DU	A2-6	A2-8	API170	AP220
Concentricity [mm]				0,015	
Max. radial clamping force [kN]				172	
Max. axial drawtube force [kN]				65	
RPM n max. [1/min.]				5000	
Clamping range [mm]	A	16 – 100			
Release stroke radial [mm]	C	1			
Reserve stroke radial [mm]	D	1			
End-stop depth [mm]	E	73			
Ø capacity [mm]	BQ	101			
End-stop thread size [M]	BG	20x1,5			
Location front end-stop	F	Ø 215 f7			
Centering length [mm]	G	23			
Bolt hole circle end-stop	B	LK Ø 180 [3 x M8]			
Length [mm]	H	78,5			
Total length [mm]	I	155		159	
Total length extensible to [mm]	AK	180			
Connecting thread inside	S	M135 x 1,5			
Depth of thread [mm]	M	18			
Position in clamped position [mm]	AU	44,5		48,5	
Reserve stroke axial [mm]	Q	3			
Release stroke axial [mm]	R	5			
Clamping head serrated	AM	TOP 100			
Clamping head smooth	AO	TOP 100 G			
Bolt hole circle	V	LK Ø 133,4 [6 x M12]	LK Ø 171,4 [6 x M16]	LK Ø 133,4 [6 x M12]	LK Ø 171,4 [6 x M16]
Outer Ø [mm]	AW		235		240
Weight [kg]		33,5		32	35

TOPlus modular size 100. Technical data



Size	100			
Variant	Modular			
Spindle nose	DU	A2-8	API170	AP220
Concentricity [mm]			0,015	
Max. radial clamping force [kN]			172	
Max. axial drawtube force [kN]			65	
RPM n max. [1/min.]			5000	
Clamping range [mm]	A	16 – 100		
Release stroke radial [mm]	C	1		
Reserve stroke radial [mm]	D	1		
Ø capacity [mm]	BQ	104,5		
Location front end-stop	F	Ø 215 f7		
Centering length [mm]	G	23		
Bolt hole circle end-stop	B	LK Ø 180 [3 x M8]		
Length [mm]	H	68,5		
Total length [mm]	I	149		
Total length extensible to [mm]	AK	180		
Connecting thread inside	S	M150 x 1,5		
Depth of thread [mm]	M	30		
Position in clamped position [mm]	AU	60		66
Reserve stroke axial [mm]	Q	3		
Release stroke axial [mm]	R	5		
Clamping head serrated	AM	TOP 100		
Clamping head smooth	AO	TOP 100 G		
Bolt hole circle	V	LK Ø 171,4 [6 x M16]	LK Ø 133,4 [6 x M12]	LK Ø 171,4 [6 x M16]
Outer Ø [mm]	AW	29	235	32
Weight [kg]				31